

**CALIFORNIA CURB SHELF BASKET WATER CLEANSING SYSTEM
SAN DIEGO REGIONAL STANDARD CURB INLET**

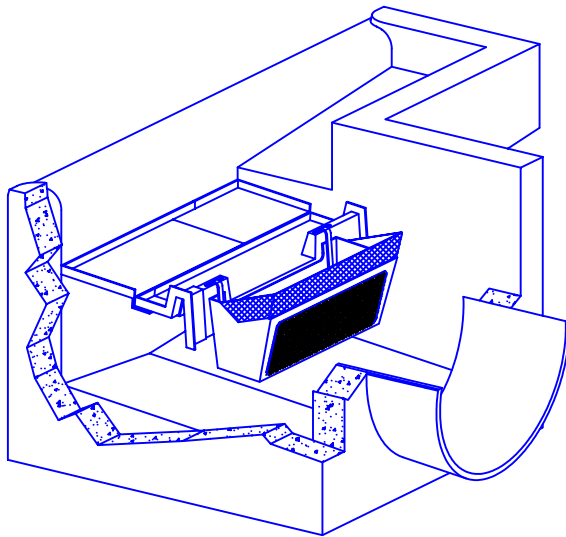


FIGURE 1
DETAIL OF PARTS

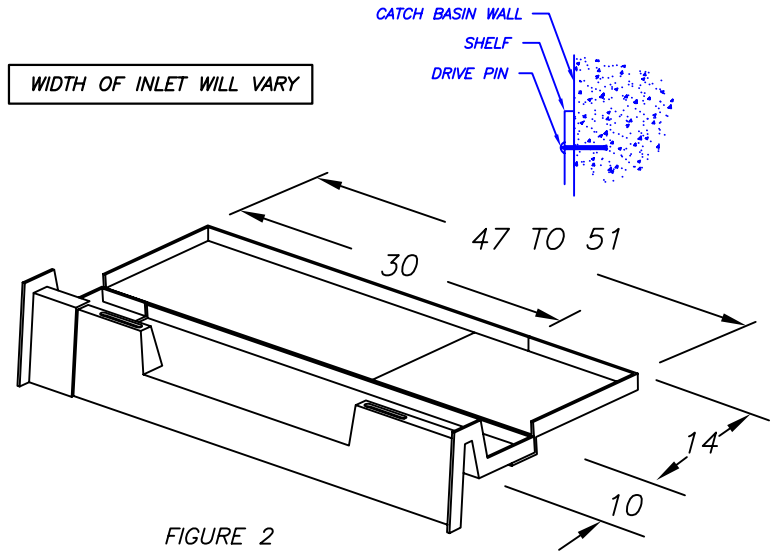


FIGURE 2
DETAIL OF INSTALLATION

REMOVABLE BASKET CATCHES EVERYTHING
AND MAY BE REMOVED THROUGH MANHOLE
WITHOUT ENTRY.

FLOW RATES per 3 FT. Basket				
$Q = SO * c_d * A \sqrt{2 * g * h}$ $c_d = \text{Coefficient of Discharge} = .67$				
	SO	A (ft ²)	h (ft)	Q (ft ³ /s)
Coarse Screen	.62	.84	0.146	1.06
Med Screen	.56	1.36	0.75	3.53
Fine Screen	.68	1.02	1.167	4.01
TOTAL				8.6

The above flow rates are based on unobstructed screens.

NOTES:

1. SHELF SYSTEM PROVIDES FOR ENTIRE COVERAGE OF INLET OPENING SO TO DIVERT ALL FLOW TO BASKET.
2. SHELF SYSTEM MANUFACTURED FROM MARINE GRADE FIBERGLASS, GEL COATED FOR UV PROTECTION.
3. SHELF SYSTEM ATTACHED TO THE CATCH BASIN WITH NON-CORROSIVE HARDWARE.
4. FILTRATION BASKET STRUCTURE MANUFACTURED OF MARINE GRADE FIBERGLASS, GEL COATED FOR UV PROTECTION.
5. FILTRATION BASKET FINE SCREEN AND COARSE CONTAINMENT SCREEN MANUFACTURED FROM STAINLESS STEEL.
6. FILTRATION BASKET HOLDS BOOM OF ABSORBENT MEDIA TO CAPTURE HYDROCARBONS. BOOM IS EASILY REPLACED WITHOUT REMOVING MOUNTING HARDWARE.
7. FILTRATION BASKET LOCATION IS DIRECTLY UNDER MANHOLE FOR EASY MAINTENANCE.

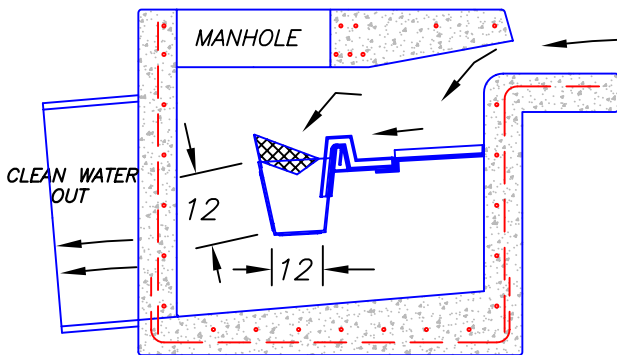


FIGURE 3
DETAIL OF PROCESS

BOX MANUFACTURED FROM
MARINE GRADE FIBERGLASS & GEL
COATED FOR UV PROTECTION

5 YEAR MANUFACTURERS WARRANTY

PATENTED

ALL FILTER SCREENS ARE STAINLESS STEEL

SUNTREE QUALITY PRODUCTS ARE BUILT FOR EASY CLEANING AND ARE
DESIGNED TO BE PERMANENT INFRASTRUCTURE AND SHOULD
LAST FOR DECADES.

SUNTREE TECHNOLOGIES 798 CLEARLAKE RD. SUITE #2 COCOA FL. 32922 TEL. 321-637-7552 FAX 321-637-7554		PROJECT:
CURB INLET BASKET SYSTEM		REVISIONS: DATE:
DATE: 04/12/04	SCALE: SF = 15	REVISIONS: DATE:
DRAFTER: N.R.B.	UNITS = INCHES	REVISIONS: DATE: