

MODEL: GR8-24-24-4-TNB
FOR CURB INLET GRATES

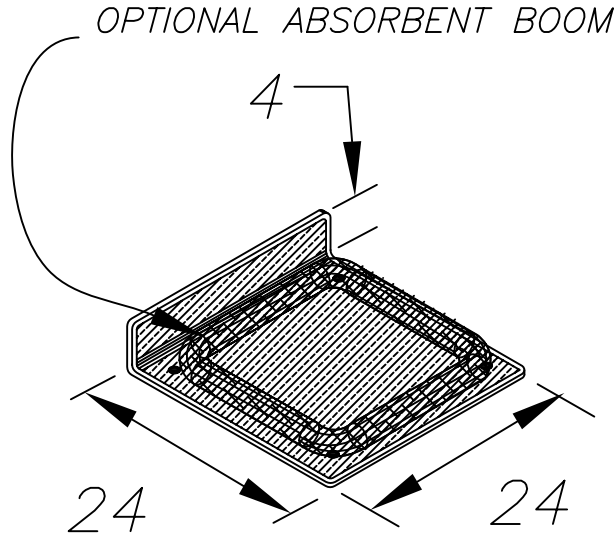


FIGURE 1
SIZE VARIES ACCORDING TO GRATE SIZE

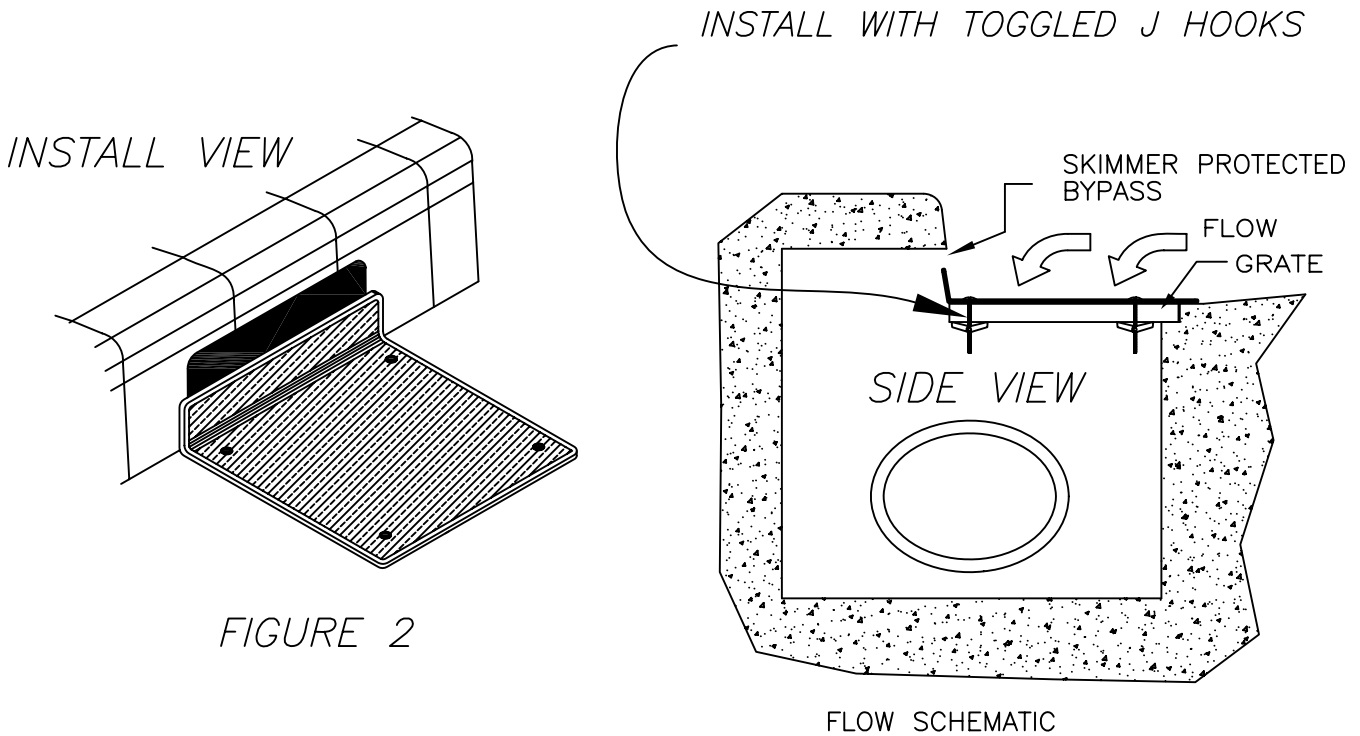


FIGURE 2

PATENTED
ALL FILTER SCREENS ARE EXPANDED STEEL
COVERED WITH 40 SIEVE GEOTEXTILE FABRIC

Distributed by:
Jen-Hill
800-452-4435
And
Sherman Dixie
800-737-0707

SUNTREE TECHNOLOGIES 798 CLEARLAKE RD, SUITE #2 COCOA FL. 32922 TEL. 321-637-7552 FAX 321-637-7554		PROJECT: TDOT TYPE B INLET
MODEL: GR8-24-24-4-TNB		DRAWING #: 1-12-24-06-01
DATE: 12/27/06	SCALE: SF = 22.5	FILE NAME: GR8-24-24-4-TNB
DRAFTER: N.R.B.	UNITS = INCHES	REVISIONS: DATE:
		REVISIONS: DATE:
		REVISIONS: DATE: