

MODEL: GR8-24-24-TNA
FOR AREA DRAINS AND GRATES

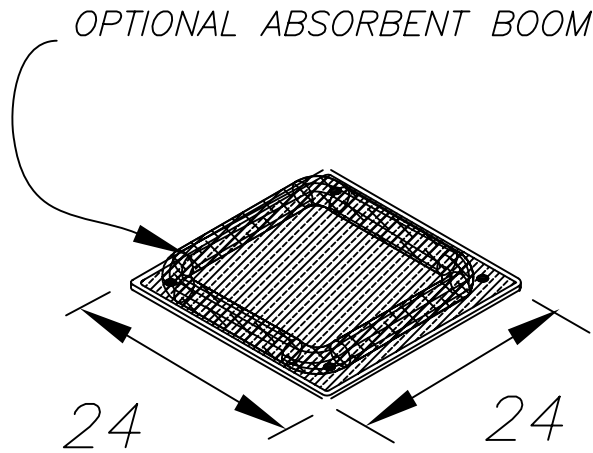


FIGURE 1

SIZE VARIES ACCORDING TO GRATE SIZE

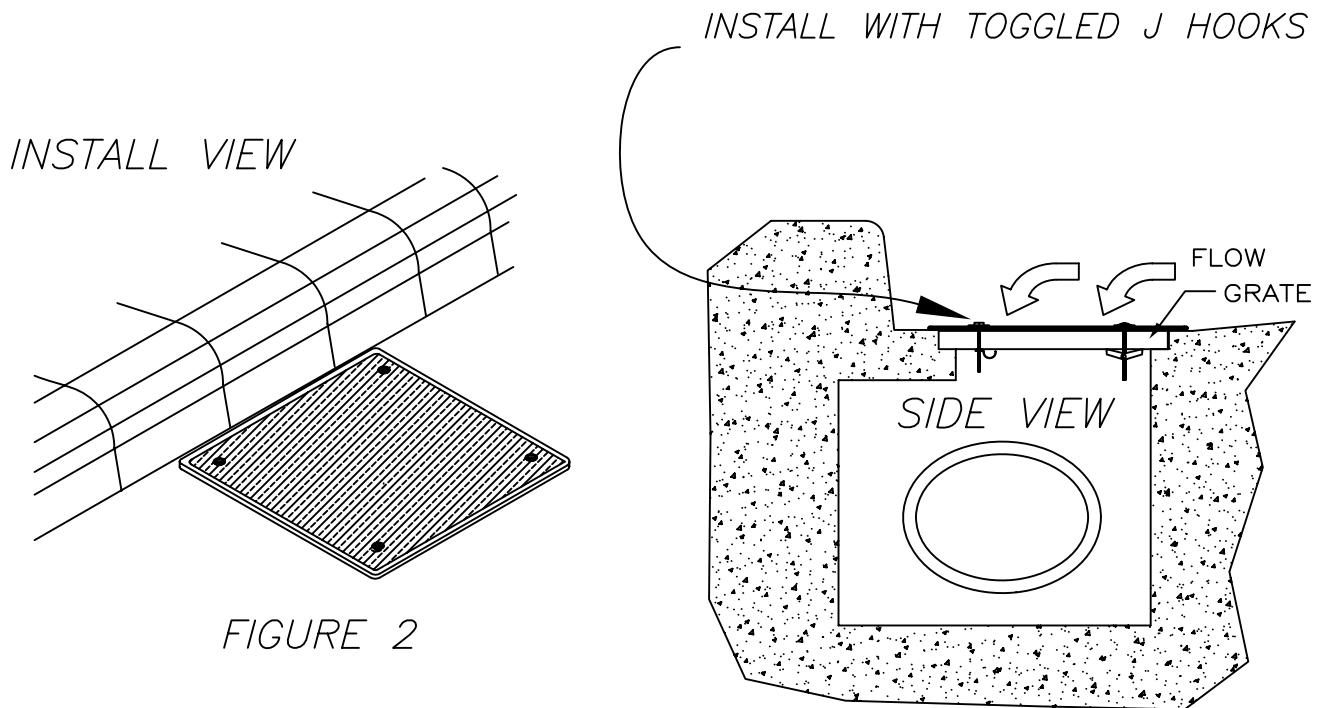


FIGURE 2

FLOW SCHEMATIC

Distributed by:
Jen-Hill
800-452-4435
And
Sherman Dixie
800-737-0707

PATENTED

ALL FILTER SCREENS ARE EXPANDED STEEL
COVERED WITH 40 SIEVE GEOTEXTILE FABRIC

SUNTREE TECHNOLOGIES 798 CLEARLAKE RD. SUITE #2 COCOA FL. 32922 TEL. 321-637-7552 FAX 321-637-7554		PROJECT: TDOT TYPE A INLET	
MODEL: GR8-24-24-TNA		DRAWING #: 1-12-27-06-02	
DATE: 12/27/06	SCALE: SF = 22.5	MODEL #: GR8-24-24-TNA	REVISIONS:
DRAFTER: N.R.B.	UNITS = INCHES	REVISIONS:	DATE: