

MODEL: GR8-34-21-3-TN
FOR CURB INLET GRATES

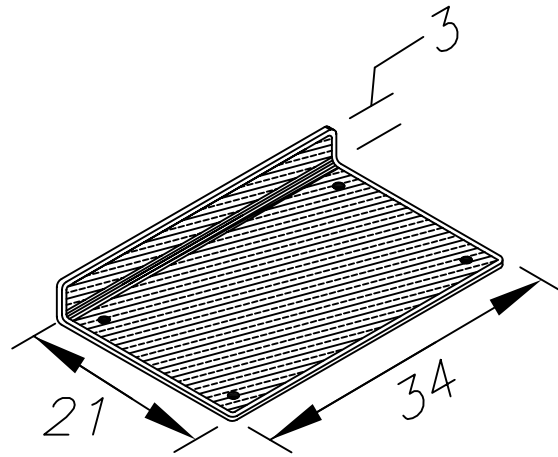


FIGURE 1
SIZE VARIES ACCORDING TO GRATE SIZE

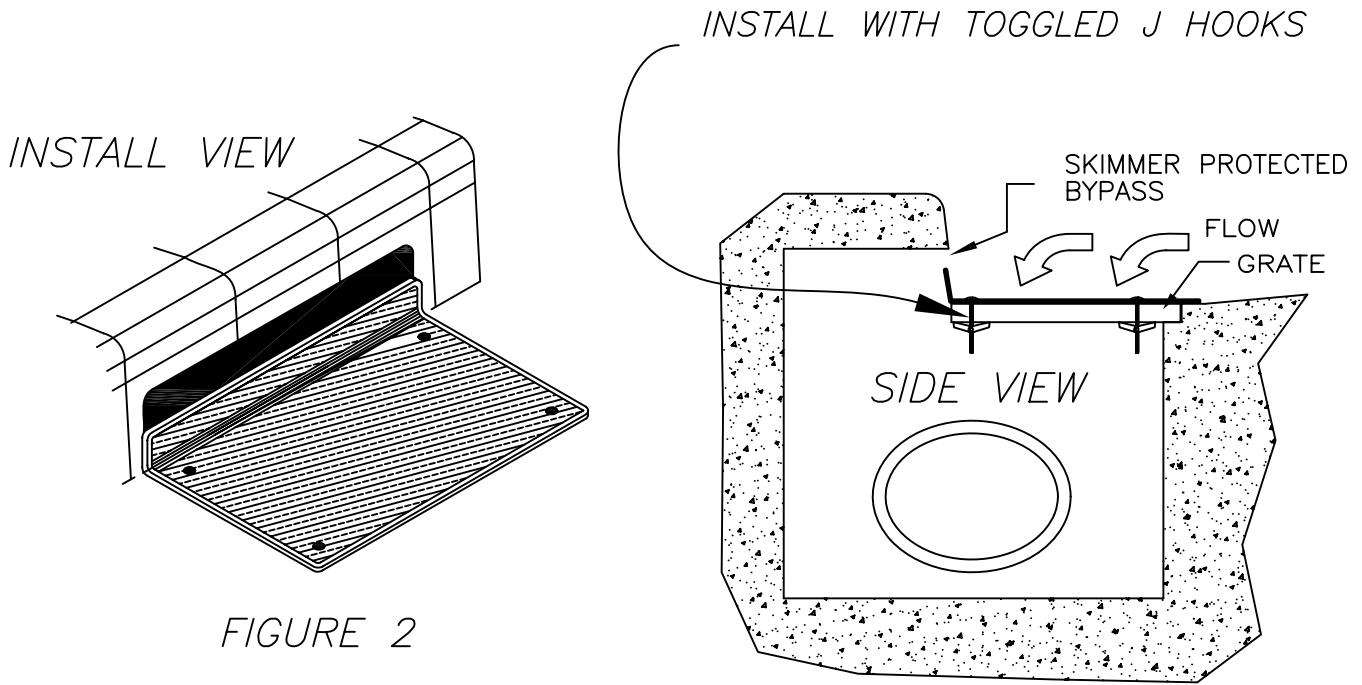


FIGURE 2

PATENTED

ALL FILTER SCREENS ARE EXPANDED STEEL
COVERED WITH 40 SIEVE GEOTEXTILE FABRIC

Distributed by:
Jen-Hill
800-452-4435

SUNTREE TECHNOLOGIES 798 CLEARLAKE RD, SUITE #2 COCOA FL. 32922 TEL. 321-637-7552 FAX 321-637-7554		PROJECT:
MODEL: GR8-34-21-3-TN		DRAWING #: 4-02-05-07-01
DATE: 02/05/07	SCALE: SF = 22.5	FILE NAME: GR8-34-21-3-TN
DRAFTER: T.H.2.	UNITS = INCHES	REVISIONS:
		DATE:
		REVISIONS:
		DATE: