

MODEL: GR8-76-24 1/2-5-TN
FOR CURB INLET GRATES

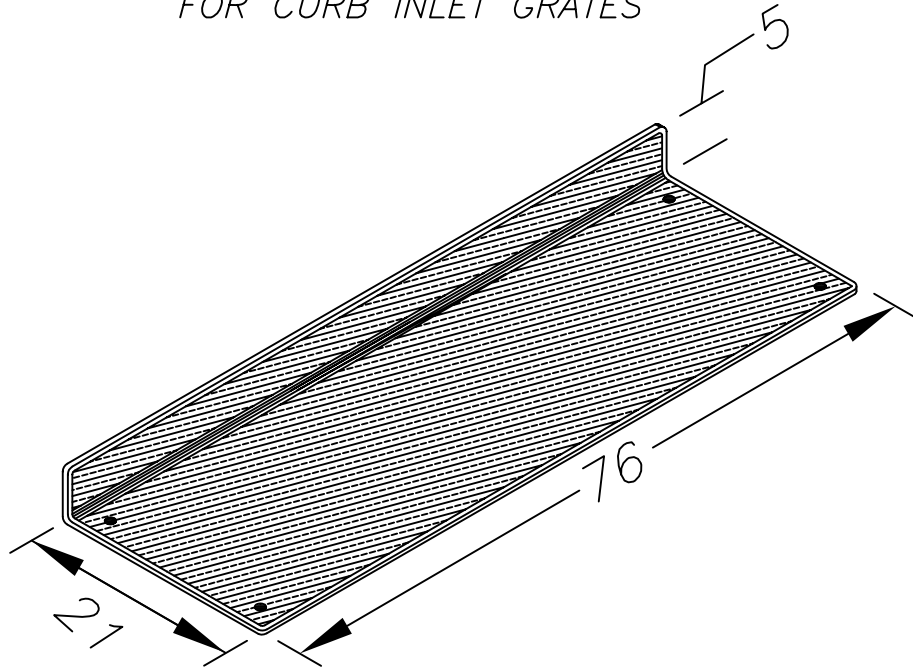


FIGURE 1

SIZE VARIES ACCORDING TO GRATE SIZE

INSTALL WITH TOGGLED J HOOKS

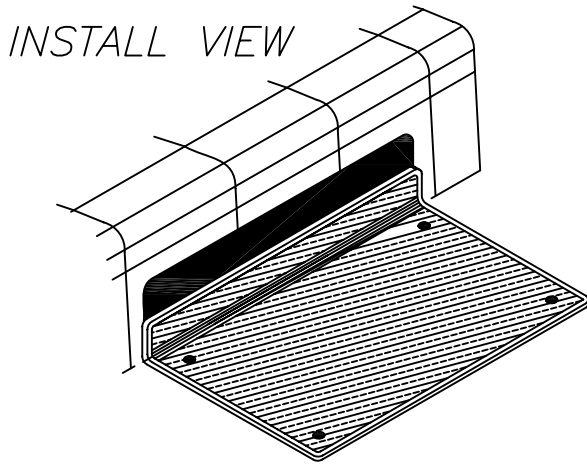
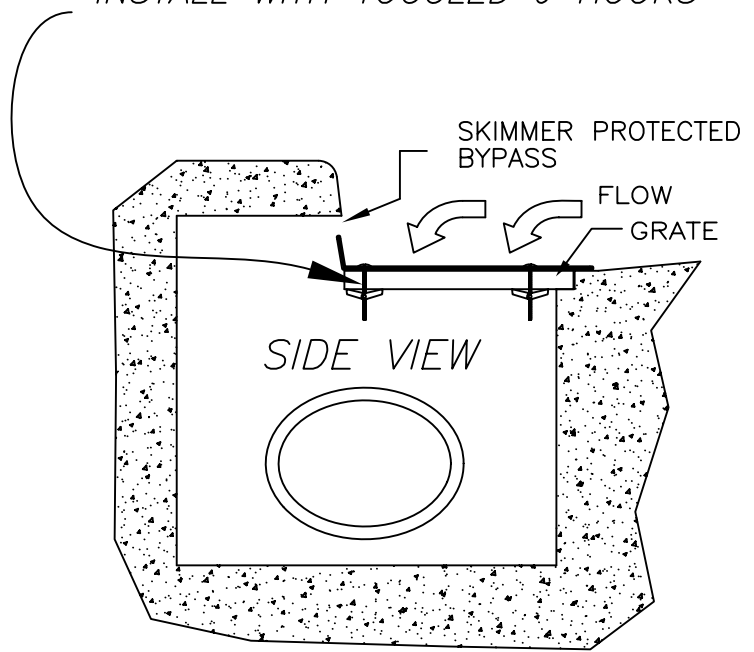


FIGURE 2



FLOW SCHEMATIC

PATENTED

ALL FILTER SCREENS ARE EXPANDED STEEL
COVERED WITH 40 SIEVE GEOTEXTILE FABRIC

Distributed by:
Jen-Hill
800-452-4435
And
Sherman Dixie
800-737-0707

SUNTREE TECHNOLOGIES 798 CLEARLAKE RD, SUITE #2 COCOA FL. 32922 TEL. 321-637-7552 FAX 321-637-7554		PROJECT:
MODEL: GR8-76-24 1/2-5-TN		DRAWING #: 4-02-01-07-05
DATE: 02/01/07	SCALE: SF = 22.5	FILE NAME: GR8-76-24 1/2-5-TN
DRAFTER: T.H.2.	UNITS = INCHES	REVISIONS:
		DATE:
		REVISIONS:
		DATE: