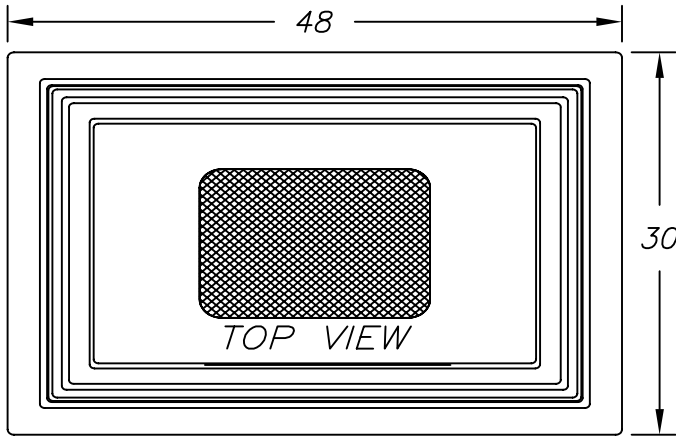
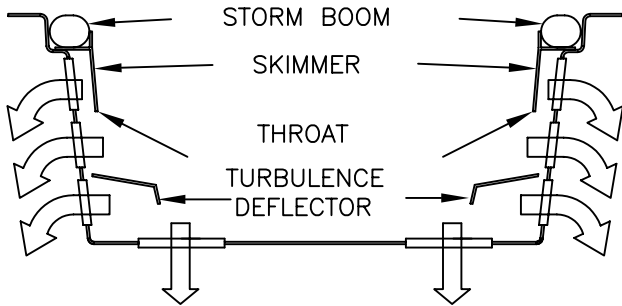


Part # GISB-F-48-30-18

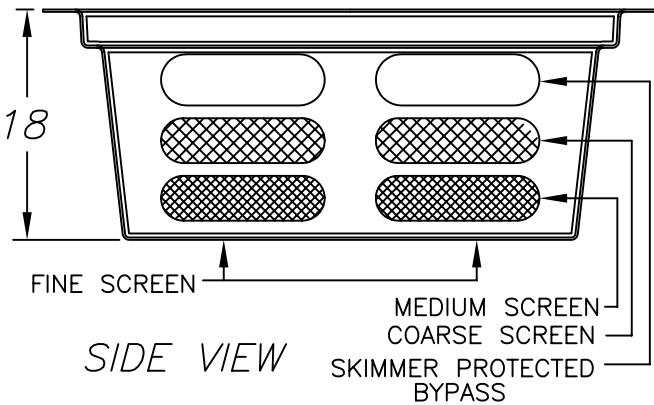
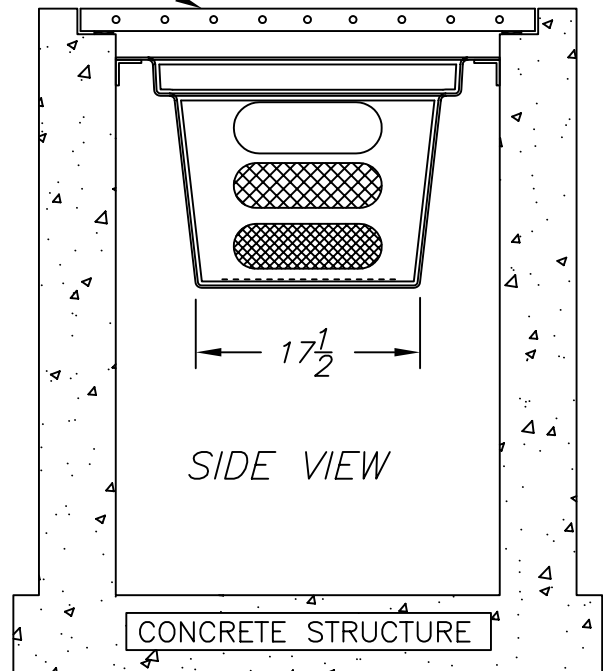


Description of filter opening	Percent Open Based on Screen Dimensions	Total Square Inches per Unit	Square Inches of Total Unobstructed Openings	Flow Rate (Cubic Feet per Second)
Skimmer protected By-Pass	100%	276.4	276.4	10.4 cfs
Coarse Screen 3/4" x 1-3/4" stainless steel flattened expanded	62%	244.1	151.3	6.7 cfs
Medium Screen 10x10 mesh stainless steel	56%	244.1	136.7	6.8cfs
Fine screen 14 x 18 mesh stainless steel	68%	249.4	169.6	9.1cfs
THROAT FLOW RATE Total: 22.5 cfs		TREATED FLOW RATE Total: 22.6 cfs		
FLOW RATES BASED ON UNOBSTRUCTED OPENINGS				

FLOW SCHEMATIC



GRATE



BOX MANUFACTURED FROM  
MARINE GRADE FIBERGLASS & GEL  
COATED FOR UV PROTECTION

5 YEAR MANUFACTURERS WARRANTY

PATENTED

ALL FILTER SCREENS ARE STAINLESS STEEL

MOUNT TO WALL BELOW  
GRATE WITH MOUNTING KIT  
CONSISTING OF ALUMINUM  
ANGLES, TAPCONS, AND DRILL BITS  
MOUNTING KIT  
SOLD SEPARATELY

SUNTREE QUALITY PRODUCTS ARE BUILT FOR EASY CLEANING AND ARE  
DESIGNED TO BE PERMANENT INFRASTRUCTURE AND SHOULD  
LAST FOR DECADES.

SUNTREE TECHNOLOGIES 798 CLEARLAKE RD. SUITE #2 COCOA FL. 32922 TEL. 321-637-7552 FAX 321-637-7554		PROJECT:
GRATE INLET SKIMMER BOX FOR FLORIDA DOT TYPE F INLET STRUCTURES.		REVISIONS: DATE:
DATE: 04/12/04	SCALE: SF = 15	REVISIONS: DATE:
DRAFTER: N.R.B.	UNITS = INCHES	REVISIONS: DATE: