



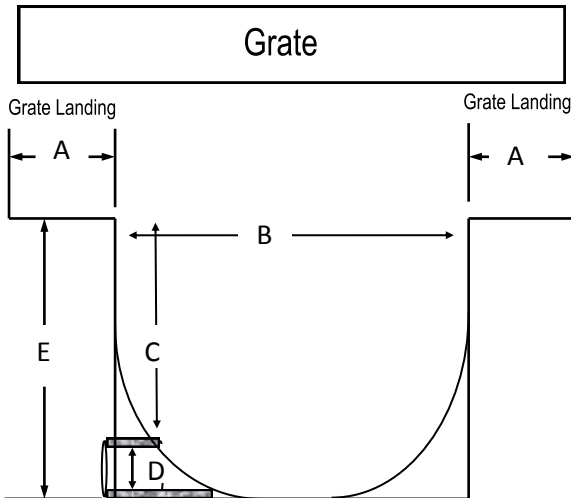
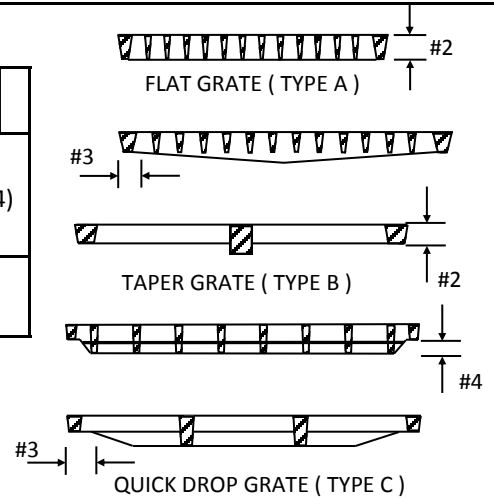
# Trench Drain Measurement Form

Suntree Technologies, Inc. 798 Clearlake Road, Suite 2 Cocoa, FL 32922

PH: 321-637-7552 Fax: 321-637-7554 www.suntreetech.com

Company			
Contact:			
Phone:	Fax:	Email:	
Job Name:			
Location:			

GRATE INFORMATION		Grate Model /#:		
GRATE STYLE (A) (B) (C)	GRATE DIAMETER (1)	GRATE THICKNESS (2)	DISTANCE TO TAPER (3)	THICKNESS OF DROP/TAPER (4)



IF SUPPORT BARS CROSS TOP OF TRENCH, WHAT IS THE DISTANCE BETWEEN?	
WIDTH OF SUPPORT BARS, IF ANY	

CATCH BASIN INFORMATION	
INSIDE EDGE OF GRATE FRAME (A)	
CLEAR OPENING (B)	
DEPTH TO TOP OF PIPE (C)	
DIAMETER OF PIPE (D)	
OVERALL DEPTH (E) SHALLOWEST DEPTH UNDER GRATE	
SQUARE OR RADIUS BOTTOM	
TOTAL RUNNING FEET NEEDED	